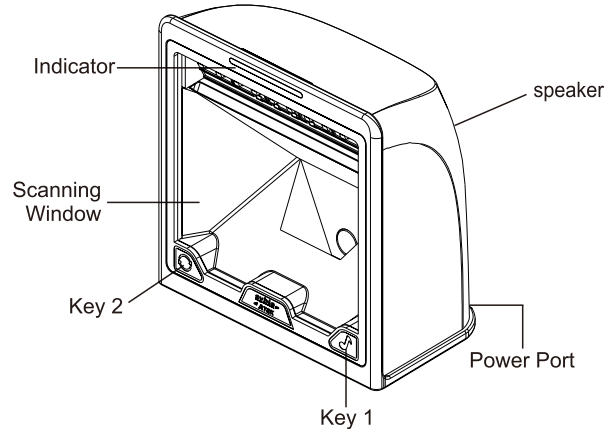


# 2D Barcode Scanner User Manual

## Structure Chart:

- (1)Key 1: 3different tone optional;
- (2)Key 2: Enable/Disabe to read 2D barcode;
- (3)Indicator: 2D barcode enable — Bule LED on  
2D barcode disabe — Red LED on



## Features :

- (1) Compatible with Linux ,Android,Windows XP, 7,8,10 and Mac operating system
- (2) Support switch to 1D barcodes read mode ,avoid reading adjacent 2D barcodes
- (3) Easy to read laminated and screen barcodes such as mobile devices
- (4) Fast and accurate read common 1D & 2D barcodes
- (5) Ultra-wide scan window and Ultra-far read distance
- (6) Eye-safe red led light

## Basic Configuration



Factory Default



Version

The following is general setup of this barcode scanner, please contact local distributor for more technical support

## Suffix setting



CR & LF



CR(default)



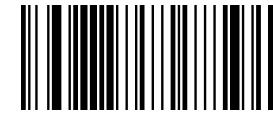
Tab



USB-HID(default)



RS232



USB-COM

### Interface Notes :

- (1) USB-HID Mode: Factory default mode ,automatically identify and install driver;
- (2) RS232 Mode:Require special customized RS232 cable and designated serial port APP(Default parameters :Baud Rate 9600 Data Bit:8bits Stop Bit : 1bit Check Bit :None);
- (3) USB-COM ,Required to install special driver (Claim it from distributor).

## Baud Rate



4800



9600(default)



57600



115200

Note:Baud Rate must be same between barcode scanner and serial port APP.Eg:Barcode Scanner default Baud Rate is 9600,the APP must choose same Baud Rate 9600

## Keyboard language



USA(default)



French



German



Italian

### Inverted Barcode Setting

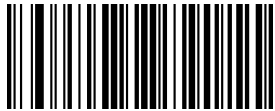


Read normal barcode only (default)



Read normal & inverted barcode

### Buzzer



Low



High (default)

### Symbology configuration



Enable All 1D Barcodes



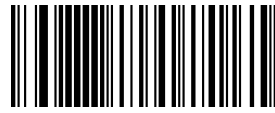
Disable All 1D Barcodes



Enable All 2D Barcodes



Disable All 2D Barcodes



Enable UPC-A to EAN-13



Disable UPC-A to EAN-13 (default)



Enable UPC-E to UPC-A



Disable UPC-E to UPC-A (default)



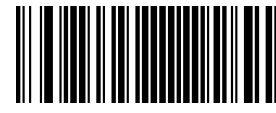
Disable EAN13 to ISBN (default)



Enable EAN13 to ISBN



Disable EAN13 to ISSN (default)



Disable UPC/EAN/JAN extra-code



Enable EAN13 to ISSN



Enable UPC/EAN/JAN extra-code

### Reading Interval Setting



Reading interval of same barcode  
300ms



Reading interval of same barcode  
500ms

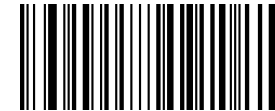


Reading interval of same barcode  
750ms

### Case Setting



Case Inversion



All Uppercase



Keyboard Case Normal Output



All Lowercase

### Trouble shooting:

If the barcode scanner is not working properly, please try to check as follow instructions

- (1) Check the cable to make sure it is the original cable and connect to host properly
  - (2) Check the barcodes required to read, it is possible not to read wrinkled, defaced, poor printed etc barcodes
  - (3) Check the barcode type, make sure the barcode scanner support it and already enabled
- For more info, please contact distributor for technical support

### Cautions:

- (1) Reading window must be kept clean, the supplier is exempt from warranty liability for damage caused by improper maintenance and use
- (2) Avoid the reading window to be abraded or scratched by hard and rough objects
- (3) Avoid liquid spilling to the reading window
- (4) Do not stare into beam when the led light on